

## REPLACEMENT PARTS FOR UNIT HEATERS

**MODELS APD AND UDAP: STANDARD POWER VENT FAN TYPE**  
**MODEL UDBP: STANDARD POWER VENT BLOWER TYPE**  
**MODEL UDAS: SEPARATED COMBUSTION FAN TYPE**  
**MODEL UDBS: SEPARATED COMBUSTION BLOWER TYPE**



### TABLE OF CONTENTS

<b>WARRANTY (ALL MODELS)</b> .....	<b>2</b>
<b>REFERENCES</b> .....	<b>2</b>
<b>RATING PLATE</b> .....	<b>2</b>
<b>SERIAL NUMBERS</b> .....	<b>3</b>
<b>ELECTRICAL COMPONENTS</b> .....	<b>4</b>
<b>BLOWER COMPONENTS</b> .....	<b>13</b>
<b>CABINET COMPONENTS</b> .....	<b>22</b>
<b>VENTER AND FLUE WRAPPER COMPONENTS</b> .....	<b>25</b>
<b>HEAT EXCHANGER AND BURNER ASSEMBLY COMPONENTS</b> .....	<b>28</b>
<b>VENTING AND COMBUSTION AIR KIT COMPONENTS (MODELS UDAS AND UDBS)</b> .....	<b>31</b>
<b>ACCESSORIES/OPTIONS</b> .....	<b>33</b>
<b>THERMOSTATS AND THERMOSTAT ACCESSORIES</b> .....	<b>39</b>

### IMPORTANT

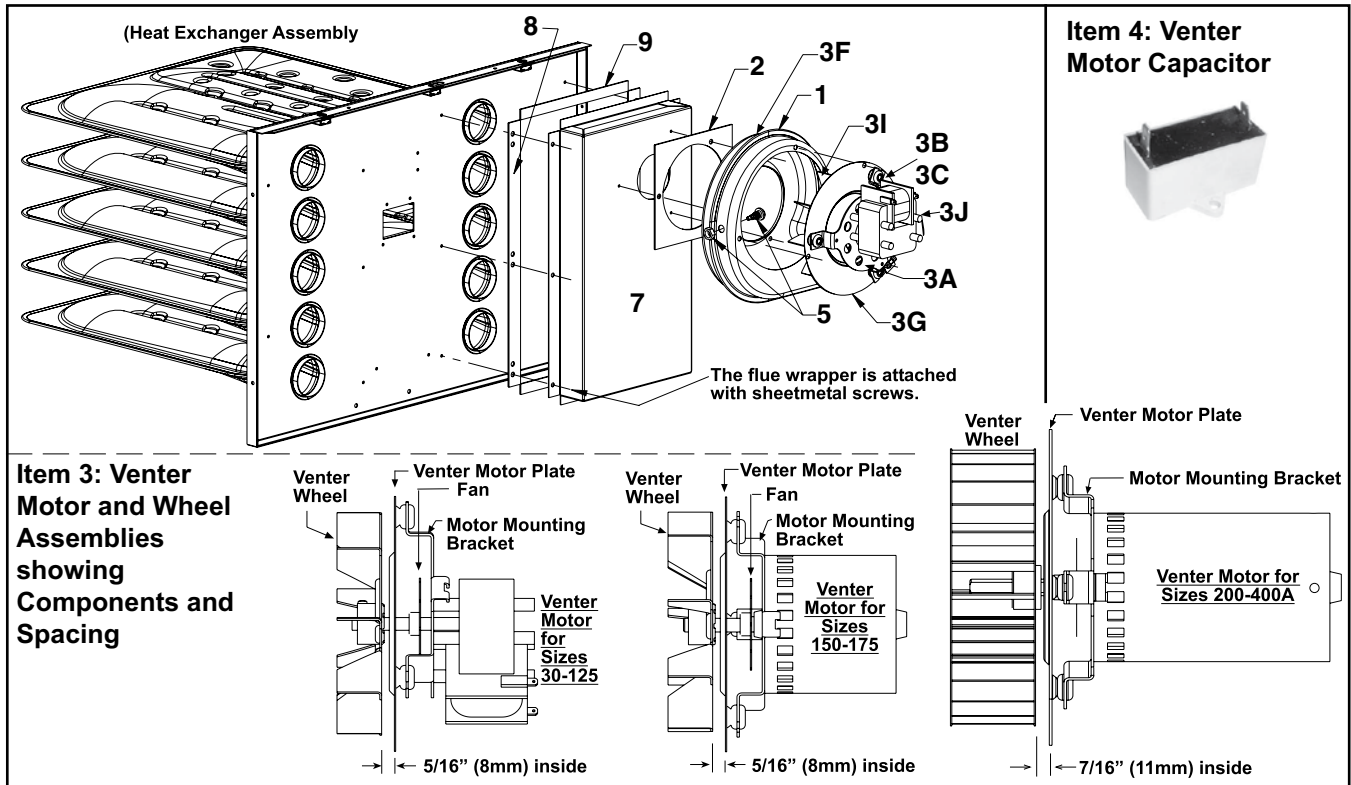
1. Always include complete model and serial number so that any specification change can be considered for parts replacement. It can save time and expense.
2. In keeping with our policy of continuous product improvement, we reserve the right to alter any information shown here. Specifications are subject to change without notice.
3. We reserve the right to substitute functional replacements.
4. Order by Part Number (PN) not by option designation.

**Table 16. Cabinet Components (Unit Sizes 150–400)—Continued**

Item No.	Component	Description	Model	Unit Size							
				150	175	200	225	250	300	350	400
				PN (Quantity)*							
22	Gasket	Outlet collar (not shown)	All	170048		196822					
23	Outlet collar	5-inch		195079		216950		—			
		6-inch		—		—		216951			
24	Support	Flue (outlet) collar	—	254952							
25	Fan blade (not shown)		APD, UDAP, UDAS	195679 (replaces 195678)	195679	195680	195681	195682	195683	209122 (replaces 195684)	209121 (replaces 195685)
26	Fan guard	Standard spacing	APD, UDAP, UDAS	170084			170085		170086		
27	Bushing	Fan guard isolator		96451 (4)							
28	Screw	Fan guard isolator/bushing		96452 (4)							
29	Isolator	Fan guard		196348 (4)							
30	Clip	Fan guard (in back, not shown)		54633 (4)							
31	Grommet	For pipe	UDAS, UDBS	102607			15021				
32	Paint, spray	Cabinet touchup, 11-oz can, white (not shown)	All	201805							
33		Horizontal louver, 12-oz can, maroon (not shown)		207432							

\*Quantity is one (1) unless otherwise indicated.

**VENTER AND FLUE WRAPPER COMPONENTS**



**Figure 9. Venter and Flue Wrapper Components (Refer to Table 17 and Table 18)**